

**NEW!**



**LINUS concealed wall-mounted draw-off tap W-E-M and W-E-V  
By SCHELL.**

## LINUS concealed wall-mounted draw-off tap W-E-M and W-E-V

Hygiene integrated by default. Contact-free.

Integrated in the wall and contact-free operation – within the LINUS series the wall-mounted tap LINUS W-E-M and W-E-V with infrared sensor prevents the transfer of germs at the washbasin. Hygiene thus becomes a feature element here.

### Product description:

- Infrared wall-mounted draw-off tap
- Consisting of front panel, mounting frame, electronic module, wall-mounted draw-off tap with spray regulator
- Wall-mounted draw-off tap with three different lengths (110, 170 and 230 mm)
- Draw-off tap out of brass conforming to TrinkwV (German Drinking Water Regulation)
- Optional battery operation, with concealed mains adapter or without power supply for networking
- For mixed water or pre-mixed water
- Front Panel, optionally out of chrome-plated brass or stainless steel
- Suitable for networking with eSCHELL SWS (SCHELL water management system), parametrisable through SSC (SCHELL Single Control)
- Selectable stagnation flush program
- Flow volume: 5 l/min (independent of pressure)
- Pressure: 1 - 5 bar
- Noise class: I

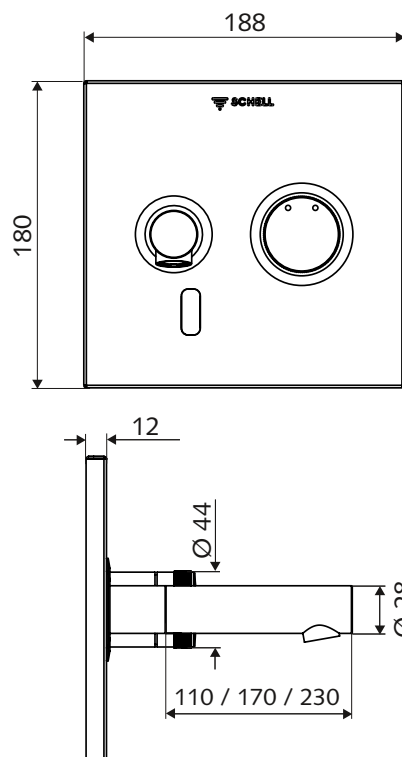
### SCHELL LINUS concealed wall-mounted draw-off tap W-E-M and W-E-V

Art. No.: 01 928 06 99\*



### Advantages:

- Contact-free actuation prevents contact with the fitting and thereby the transfer of germs
- Flow time limit helps save water and energy
- The contact-free LINUS wall-mounted draw-off taps with their different tap lengths and finishes provide the ideal fitting for any use
- Ensures maintaining drinking water hygiene through stagnation flush or networking with the eSCHELL water management system
- Particularly suitable for top-mounted washbasins
- Vandalism-proof all-metal construction



\*More products provided in the Catalogue Supplement 2017 or in the internet at [www.schell.eu](http://www.schell.eu).