

Article number: 02 125 06 99

Self-closing wash basin taps PURIS SC HD-M - high-pressure mixed water

Manual actuation with automatic closing. Easy flow time adjustment.



Scope of delivery

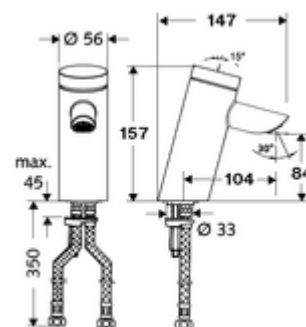
- Self-closing single-hole tap
 - Vandal-resistant all-metal housing
 - Recessed aerator (theft-protected)
 - Self-closing cartridge SC II with hot water restrictor
- 2 flexible Clean-Fix S connection hoses, G 3/8 IG x 410 mm, with integrated backflow preventer (EN 1717: EB-type) and pre-filter
- Fastening material for wash basin installation

Technical data

- Running time: 2 - 15 s adjustable (7 s)
- Flow: max. 5 l/min pressure independent
- Flow pressure: 1.0 - 5.0 bar
- Max. Resting pressure: 8 bar
- Max. operating temperature: 70 °C (80 °C for thermal disinfection)
- Connection: 2x G 3/8 IG
- Material: Housing Brass, conform to German drinking water regulations
- Surface: Chrome
- Certificates: P-IX 19436/IO, DIN-DVGW, Belgaqua, WRAS
- Noise class: I
- Flow class: O

Delivery data

- Weight: 1,60 kg/Piece
- Packing unit: 1



Recommended associated articles

	Article no: 09 414 06 99
	Article no: 06 558 12 99
Angle valve with regulating function COMFORT with filter	Article no: 05 430 06 99
Aerator key for recessed aerators M24	Article no: 78 233 00 99
Wash basin outlet valve OPEN	Article no: 02 002 06 99 or
Wash basin outlet valve PUSH OPEN	Article no: 02 000 06 99 or

Hint

- Not suitable for instantaneous water heaters and small storage heaters.