

Article number: 02 188 06 99

Wash basin tap MODUS Care AH HD-M - high-pressure mixed water

Horizontal open/close operation with clinic arm lever.



Scope of delivery

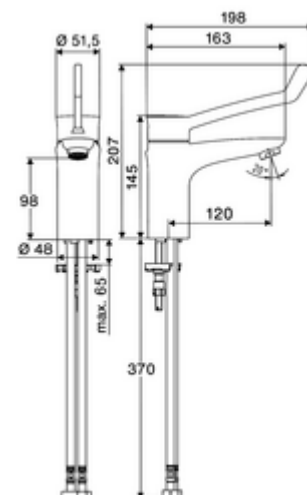
- On/off single-hole tap
 - Vandal-resistant all-metal housing
 - Low aerosol aerator (laminar jet)
 - Open/closed ceramic cartridge with hot water restrictor
 - Ergonomic arm lever
- 2 flexible Clean-Fix S connection hoses, G 3/8 IG x 440 mm, with integrated backflow preventer (EN 1717: EB-type) and pre-filter
- Fastening material for wash basin installation

Technical data

- S_Durchfluss: max. 5 l/min pressure independent
- Flow pressure: 1.0 - 5.0 bar
- Max. Resting pressure: 8 bar
- Max. operating temperature: 70 °C
- Connection: 2x G 3/8 IG
- Material: Actuation Die-cast zinc, Housing Brass, conform to German drinking water regulations
- Surface: Chrome

Delivery data

- Weight: 2,01 kg/Piece
- Packing unit: 1



Recommended associated articles

Flow regulator set LEED 1.3 l	Article no: 28 931 06 99 or
Aerator set 3.0 l/min pressure-independent	Article no: 28 932 06 99 or
Aerator max. 5.7 l/min pressure-independent, theft-proof	Article no: 02 121 06 99 or
Angle valve thermostat	Article no: 09 414 06 99
Wash basin outlet valve OPEN	Article no: 02 002 06 99 or
Wash basin outlet valve PUSH OPEN	Article no: 02 000 06 99 or