

Article number: 02 187 06 99

## Wash basin tap MODUS Care EH-T HD-M - High pressure mixed water, ThermoProtect cartridge



Compact single-lever mixer tap with lever.

### Scope of delivery

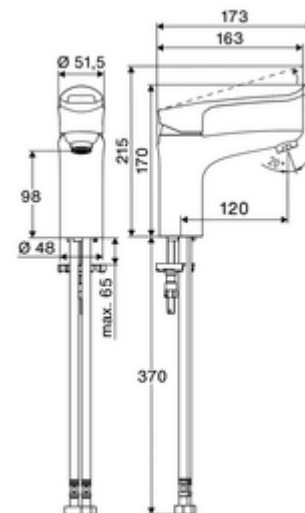
- Single-lever single-hole tap
  - Vandal-resistant all-metal housing
  - Ceramic cartridge with temperature lock 38° C, scald protection in case of cold water supply failure
  - Low aerosol aerator (laminar jet)
  - Single-lever mixer
- 2 flexible Clean-Fix S connection hoses, G 3/8 IG x 440 mm, with integrated backflow preventer (EN 1717: EB-type) and pre-filter
- Fastening material for wash basin installation

### Technical data

- S\_Durchfluss: max. 5 l/min pressure independent
- Flow pressure: 1.0 - 5.0 bar
- Max. Resting pressure: 8 bar
- Max. operating temperature: 70 °C
- Max. outlet temperature: 38 °C
- Connection: 2x G 3/8 IG
- Material: Actuation Die-cast zinc, Housing Brass, conform to German drinking water regulations
- Surface: Chrome

### Delivery data

- Weight: 1,81 kg/Piece
- Packing unit: 1



### Recommended associated articles

Flow regulator set LEED 1.3 l	Article no: 28 931 06 99 or
Aerator set 3.0 l/min pressure-independent	Article no: 28 932 06 99 or
Aerator max. 5.7 l/min pressure-independent, theft-proof	Article no: 02 121 06 99 or
Pressure limiter set	Article no: 28 525 06 99
Wash basin outlet valve OPEN	Article no: 02 002 06 99 or
Wash basin outlet valve PUSH OPEN	Article no: 02 000 06 99 or