

Article number: 00 822 08 99

## Shower panel LINUS DP-C-T

### Mixed water, ThermoProtect thermostat

Made from a strong extruded aluminium profile with a high-quality, anodised finish. Triggering via CVD-Touch electronics with automatic closing. Optional battery or mains operation. Suitable for networking with the SCHELL SWS water management system. Configurable via SCHELL Single Control SSC. Pivoting front panel for easy installation and servicing. Suitable for connections from rear or for exposed connections from above.

#### Scope of delivery

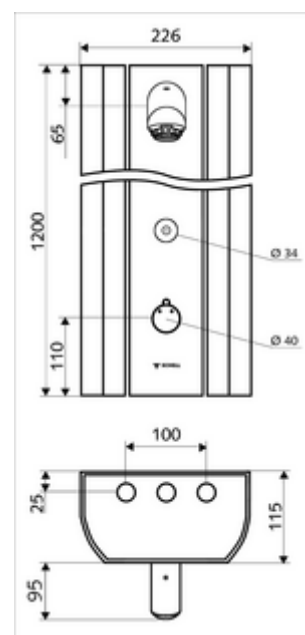
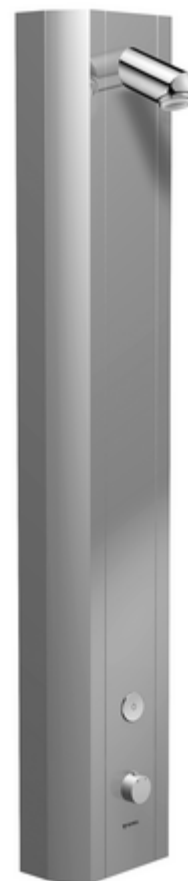
- Electronic self-closing exposed shower panel
  - 2 pre-filters
  - CVD-Touch electronics, programmable, IP65 protection against low-pressure water jets
  - Operating button for thermostat with push sleeve, temperature setting unlockable/lockable at 38 °C
  - 2 backflow preventers (EN 1717: EB-type)
  - 6 V solenoid valve
  - ThermoProtect thermostat, conform to EN 1111, anti-scalding protection if cold water supply fails
- Low aerosol shower head 20° ±6°, vandal-resistant
- Connection accessories with isolating valve(s)
- Fastening material for wall installation

#### Technical data

- Setting options via SWS SSC
  - Actuation force (soft/medium/hard)
  - Manual programming (off/on)
  - Max. flow time (1-950 s)
  - Stagnation flush (off/1-1000 s, every 1-250 h after last flush/every 1-250 h)
  - Actuation timeout (off/1-255 s, timeout 1-2000 min)
- Setting options via manual programming
  - Max. flow time (10-360 s in 10 program stages, factory setting 20 s)
  - Stagnation flush (off/20 s, every 24 h)
- S\_Durchfluss: max. 9 l/min pressure independent
- Flow pressure: 1.0 - 5.0 bar
- Max. Resting pressure: 8 bar
- Max. operating temperature: 70 °C temporarily
- Connection: 2x DN 15 G 1/2 AG
- Material: Actuation Brass, Shower head Brass, conform to German drinking water regulations, Housing Aluminium, Waterpath Dezincification-resistant brass, conform to German drinking water regulations
- Surface: Actuation Chrome, Shower head Chrome, Housing Brushed anodised aluminium
- Dimensions: W 226 mm x h 1200 mm x d 115 mm
- Certificates: Belgaqua

#### Delivery data

- Weight: 14,42 kg/Piece
- Packing unit: 1



## Necessary associated articles

### For operation with SWS

SWS Server	Article no: 00 500 00 99
SWS Bus extender cable BE-K	Article no: 00 501 00 99 and/or
SWS Bus extender wireless BE-F	Article no: 00 502 00 99 and/or
SWS Bus mains adapter	Article no: 00 505 00 99

### For operation with BE-F wireless bus extender or without SWS

Concealed power supply unit 9 VDC, 100 - 240 VAC, Article no: 01 315 00 99 or 50 - 60 Hz	
Top-hat rail transformer 9 VDC, 100 - 240 VAC, 50 - 60 Hz	Article no: 01 582 00 99 or 60 Hz
Electrical junction box 9 VDC, 100 - 240 VAC, 50 - 60 Hz	Article no: 01 583 00 99 or 60 Hz
Universal 6 V battery compartment	Article no: 01 557 00 99 or

### Together with mains adapter

Universal connection cable 5 m	Article no: 01 570 00 99 or
Universal connection cable 10 m	Article no: 01 571 00 99 or

## Recommended associated articles

Soap tray shower panel LINUS	Article no: 00 809 08 99
Pipe set shower panel connection 500 mm	Article no: 08 481 06 99 or
Pipe set shower panel connection 1000 mm	Article no: 08 482 06 99 or
Connection cover shower panel LINUS 150 - 450 mm	Article no: 00 839 08 99 or
Connection cover shower panel LINUS 150 - 950 mm	Article no: 00 840 08 99 or
Handle for thermostat EasyGrip	Article no: 29 192 06 99
Sampling valve for shower heads	Article no: 01 817 00 99
SSC Bluetooth® module	Article no: 00 916 00 99

### Not together with SWS and SSC Bluetooth module

CVD-protection filter	Article no: 00 906 00 99
-----------------------	--------------------------