

Article number: 03 075 00 99

Urinal module MONTUS Type COMPACT II

Urinal module, height 115 cm with concealed COMPACT II flush valve. For stud wall or pre-wall mounting or exposed installation. Self-supporting, powder-coated steel profiled frame with height-adjustable feet and cross bars. Flush triggering electronic or mechanical.

Scope of delivery

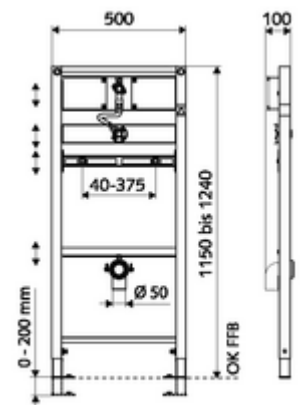
- Urinal module
 - Cross bar for urinal attachment 40-375 mm, height-adjustable
 - Cross bar with noise-insulated urinal connection, with construction plug, height-adjustable
 - Cross bar with concealed COMPACT II flush valve, with isolating valve and flush-mounted cap, height-adjustable
 - Galvanised, height-adjustable mounting feet 0 - 20 cm with slip resistance
 - Cross bar with drain elbow and construction plug, height-adjustable
 - Flexible hose
- Fastening material for installation feet
- Fastening material for urinal installation (fastening bolts M 8 x 100 mm, protection hose, plastic collar bushings, nuts, flat washers, cover caps)

Technical data

- Flow pressure: 0.8 - 5.0 bar
- Waste water connection: Ø 50 mm
- Water connection: DN 15 G 1/2 AG (top)
- Waste water outlet: Ø 50 mm
- Water outlet: DN 15 G 1/2 IG
- Flush flow: 0.3 l/s
- Material: Frame Steel, Waterpath Dezincification-resistant brass, conform to German drinking water regulations
- Surface: Frame Powder coat finish
- Dimensions: W 50 cm x h 124 cm

Delivery data

- Weight: 11,54 kg/Piece
- Packing unit: 1



Necessary associated articles

Urinal inlet connection DN 15 Article no: 03 105 00 99

For exposed installation

MONTUS wall bracket set (120 - 170 mm) Article no: 03 071 00 99 or
MONTUS wall bracket set (150 - 210 mm) Article no: 03 077 00 99 or

Urinal controls

Urinal control EDITION E Article no: 02 806 06 99 or
Urinal control EDITION E Article no: 02 806 15 99 or
Urinal control EDITION E Article no: 02 807 28 99 or
Urinal control EDITION E Article no: 02 808 15 99 or
Urinal control EDITION E Article no: 02 808 06 99 or
Urinal control EDITION E Article no: 02 809 28 99 or

Urinal control EDITION E	Article no: 00 230 06 99	or
Urinal control EDITION E	Article no: 00 230 15 99	or
Urinal control EDITION E	Article no: 00 231 28 99	or
<u>Urinal operating panels</u>		
EDITION urinal operating panel	Article no: 02 800 06 99	or
EDITION urinal operating panel	Article no: 02 800 15 99	or
EDITION urinal operating panel	Article no: 02 801 28 99	or

Mounting instructions

- For electronic triggering, provide power supply in accordance with the respective urinal control.
- When used with the SCHELL SWS water management system, use a standard bus cable H(St)H2x2x0.8 (provided on site) for the SWS BE-K wired bus extender as required.
- Always use original SCHELL mains adapters and connection cables.